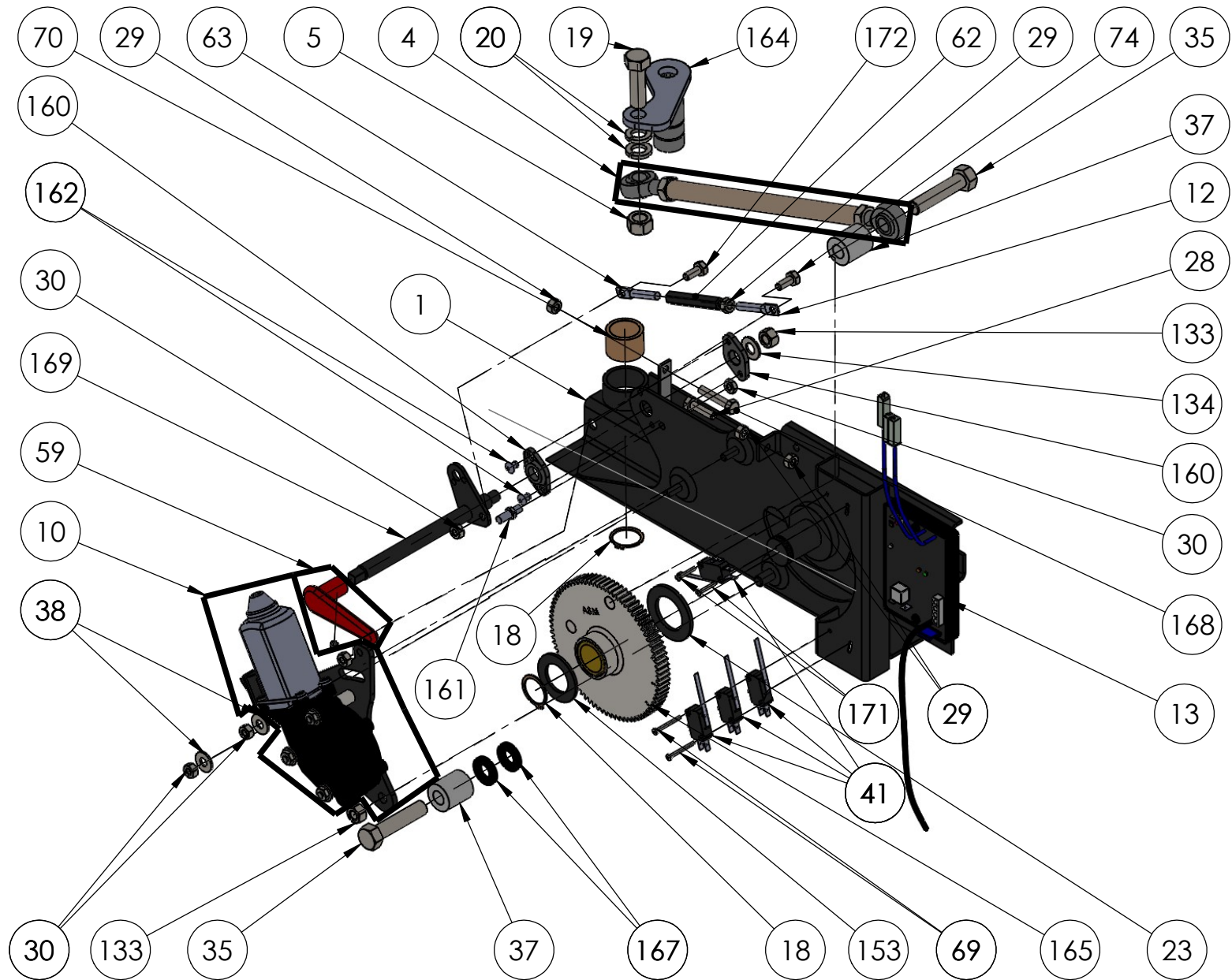
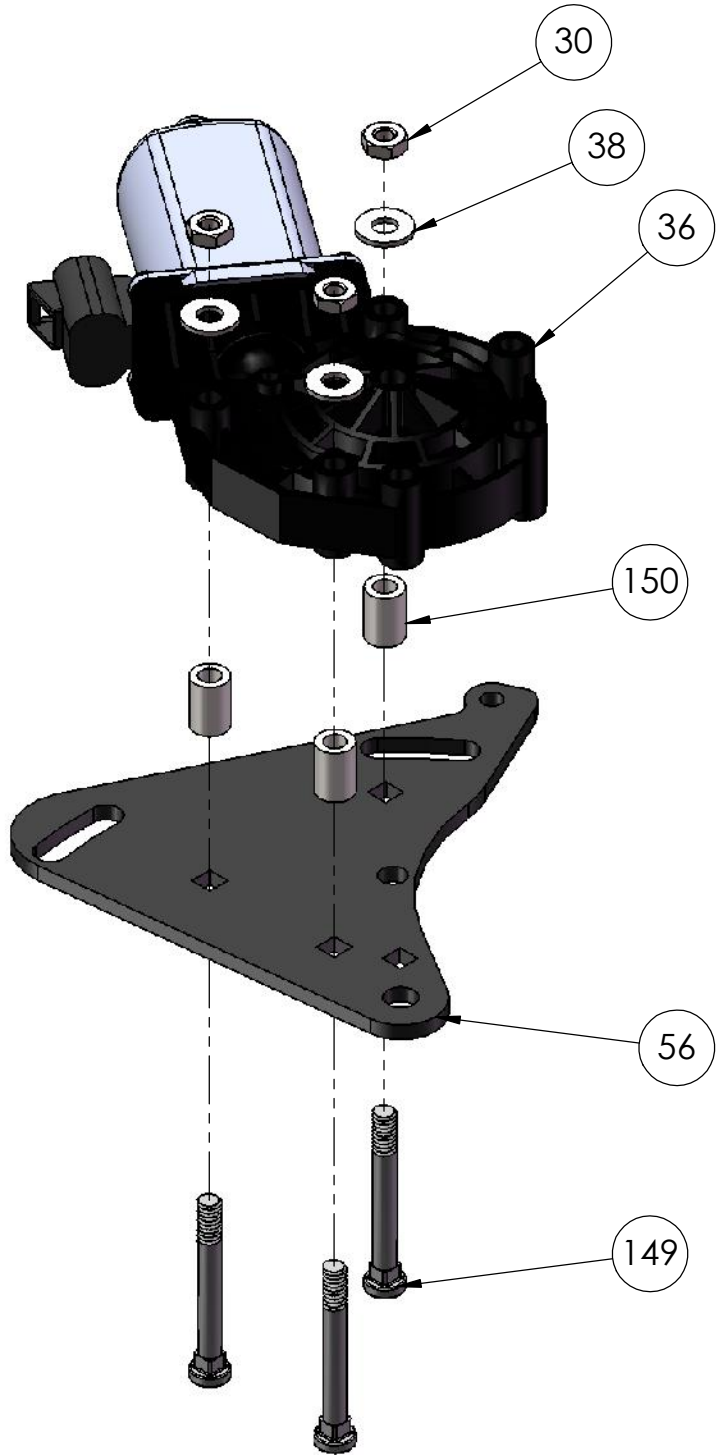


Model: 3501

Index No.	Part No.	Description	No Req'd
1	M1657-24	3528 Base plate weldment, with bushings	1
4	P100318	3528 Push-pull rod assembly, forward	1
5	P100022	Nut, 1/2-20 zinc plated	2
10	P100489	Motor Assembly	1
12	P100198	Bolt, hanger, 1/4 flattened end x 2"	1
13	P100631	PC board, Solid State, Auto Re-open	1
18	P100027	Snap ring, (1" shaft)	2
19	P100005	Bolt, 1/2-20 x 1-3/4"	1
20	P100019	Lock washer, spring type, 1/2"	2
23	2767	Washer, ABS 2.00 x 1.25 x .125	1
25	P100001	Bolt, 1/4-20 x 1/2"	1
29	P100021	Nut, plain, 1/4-20	3
30	P100024	Nut, nylock, 1/4-20	6
35	P100006	Bolt, 1/2-20 x 2-1/4"	2
36	P100047	Motor	1
37	1010	Spacer	2
38	P100018	Washer, 1/4 SAE Flat Zinc	5
41	P100060	Switch, long-arm	4
56	1933	Motor Mount	1
59	P100315	Manual Release Handle with 5/16"-18 set screw	1
62	1767	Turnbuckle, 1/4"-20 LH, RH	1
63	P100283	Bolt, Hanger, 1/4" flattened end x 2", LH	1
69	P100010	Screw, 4-40x 1-5/8", Round Phillips Head	2
70	P100316	Bushing, Sintered Bronze, 1.003" x 1.254" x .875"	1
74	P100346	Bolt, Hex Head 1/4-20 x 5/8 Gr5	1
133	P100481	Nut, 3/8-16, nyloc nut, thin	2
134	P100023	Washer, 3/8 SAE	1
149	2184	Bolt, Carriage, Square Neck	3
150	P100649	Spacer, .257" ID x .50" D x .688", Nylon	3
153	P100409	Washer, 1.5" OD x 1" ID, 3/64" Thick	1
160	2380	Manual Release Mount	2
161	2381	Manual Release Stop Pin	1
162	P100350	Rivet, 3/16 x .415 Blind	2
164	1987	Actuator Arm Assembly, Side Relief	1
165	2154	Gear, 5" d.p. 1-1/4" ID, 1" ID oil lite bushing	1
167	1971	Washer, ABS, 1.0" x .5" x .125"	2
168	P100565	Bolt, Hex, 1/4-20 x 1-1/4", Fully Threaded	1
169	2392	Manual Release Welded Assembly, 6.75in OAL	1
171	P100011	Screw, Phillips Round, 4-40 x 5/8	2
172	P100670	Screw, 1/4-20 x 1/2, Low Profile Socket Head Cap	1





ITEM NO.	PART NUMBER	DESCRIPTION	QTY.
30	P100024	Nut, nylock, 1/4-20	3
36	P100047	Motor	1
38	P100018	Washer, 1/4 SAE Flat Zinc	3
56	1933	Motor Mount	1
149	2184	Bolt, Carriage, Square Neck	3
150	P100649	Spacer, .257" ID x .50" D x .688", Nylon	3