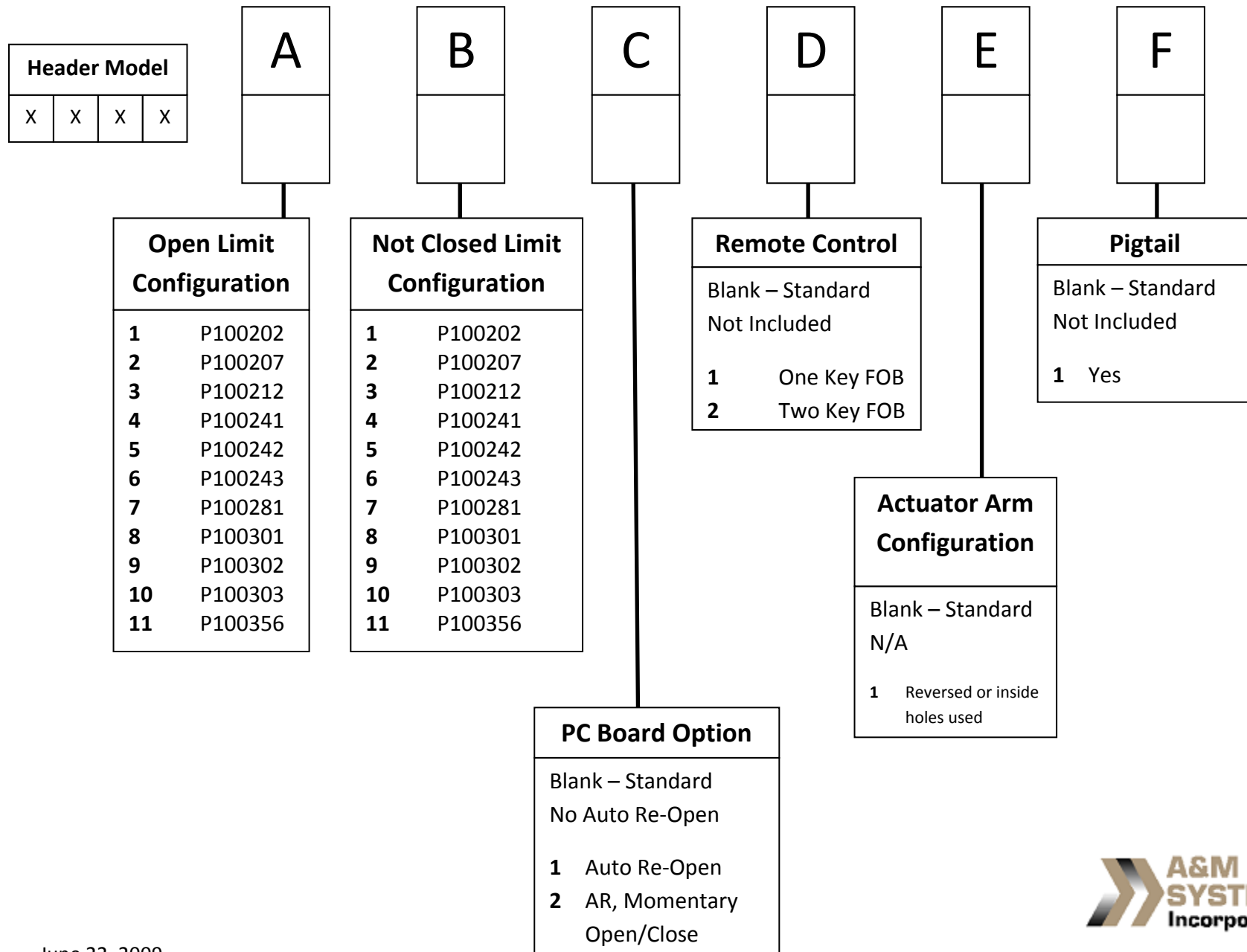
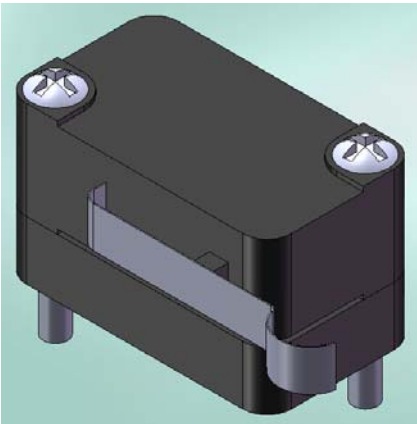


# A&M Systems Header Options Chart

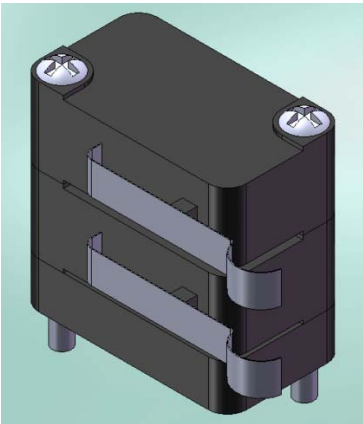


# A&M Systems Limit Switch Configurations

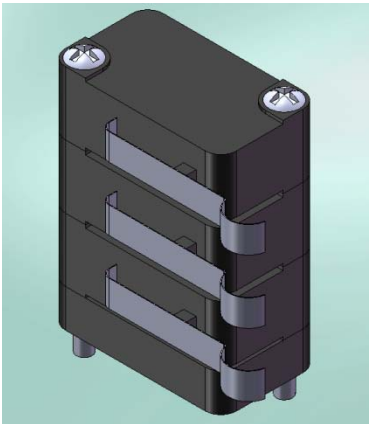
P100202



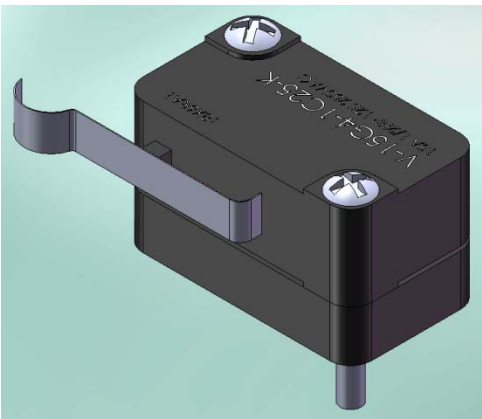
P100207



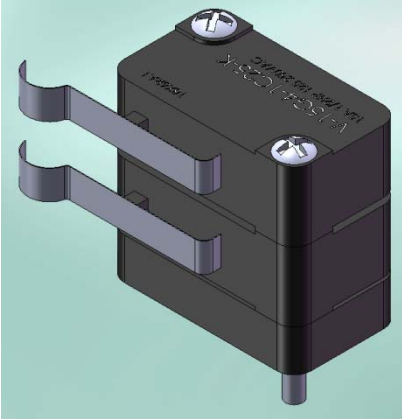
P100212



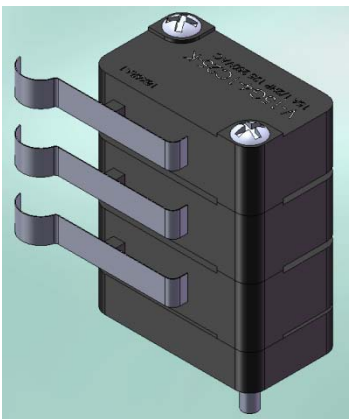
P100241



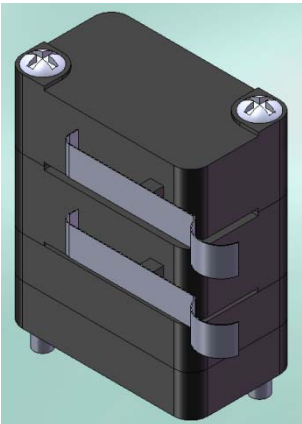
P100242



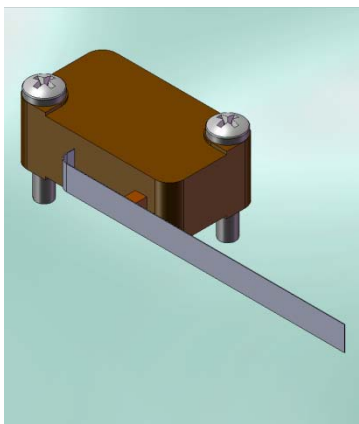
P100243



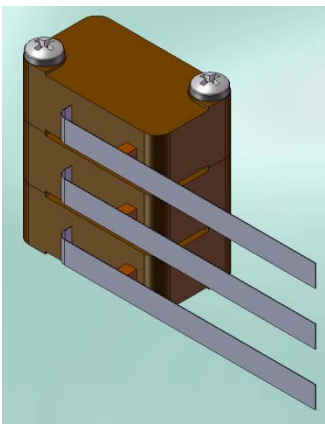
P100281



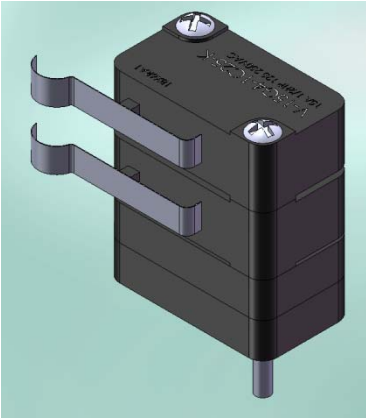
P100301



P100302



P100303



P100356

